

# Zip Screen

Widely used indoors and outdoors, on various facades and inclined surfaces, and can also be flexibly used to divide spaces. A variety of aluminum profile colors and fabrics with a variety of light transmittance are available to meet your individual needs. The shading effect is remarkable, the room temperature can be effectively lowered, and energy saving and low consumption are achieved.

**HAGENSTEEL Profiler®**



# Application Scenario



Strong wind resistance



Shade from the sun



Thermal insulation



Temperature control



Beautify building



Anti-mosquito

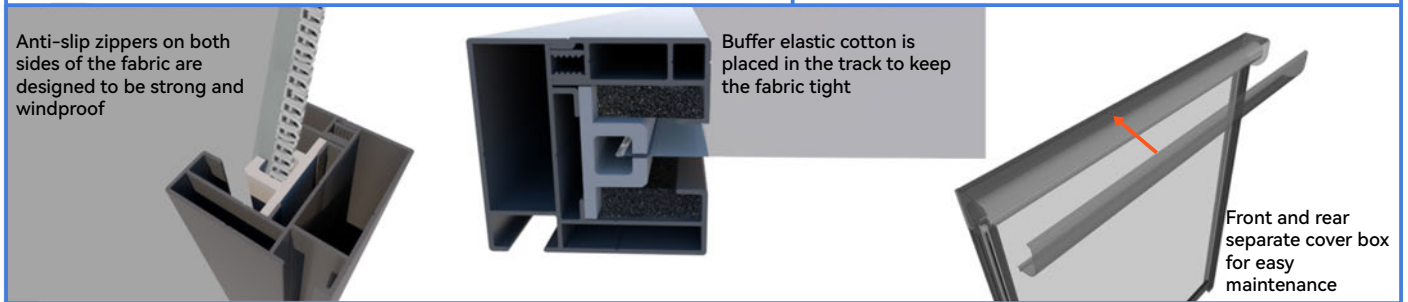
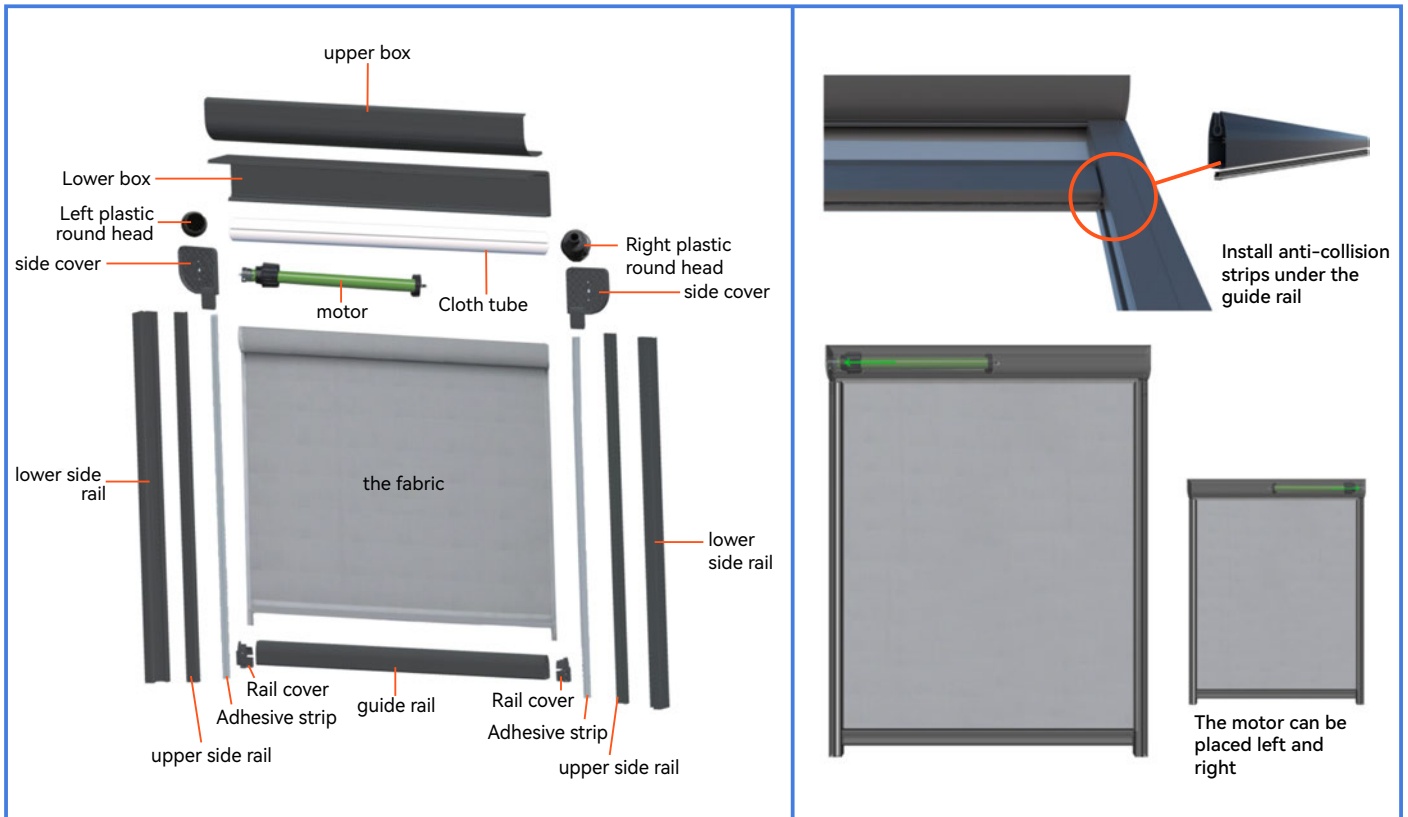


Privacy protection



PAIR WITH AN ELECTRIC GAZEBO TO CREATE AN OUTDOOR PRIVATE SPACE

# Zip Screen structure and parameters



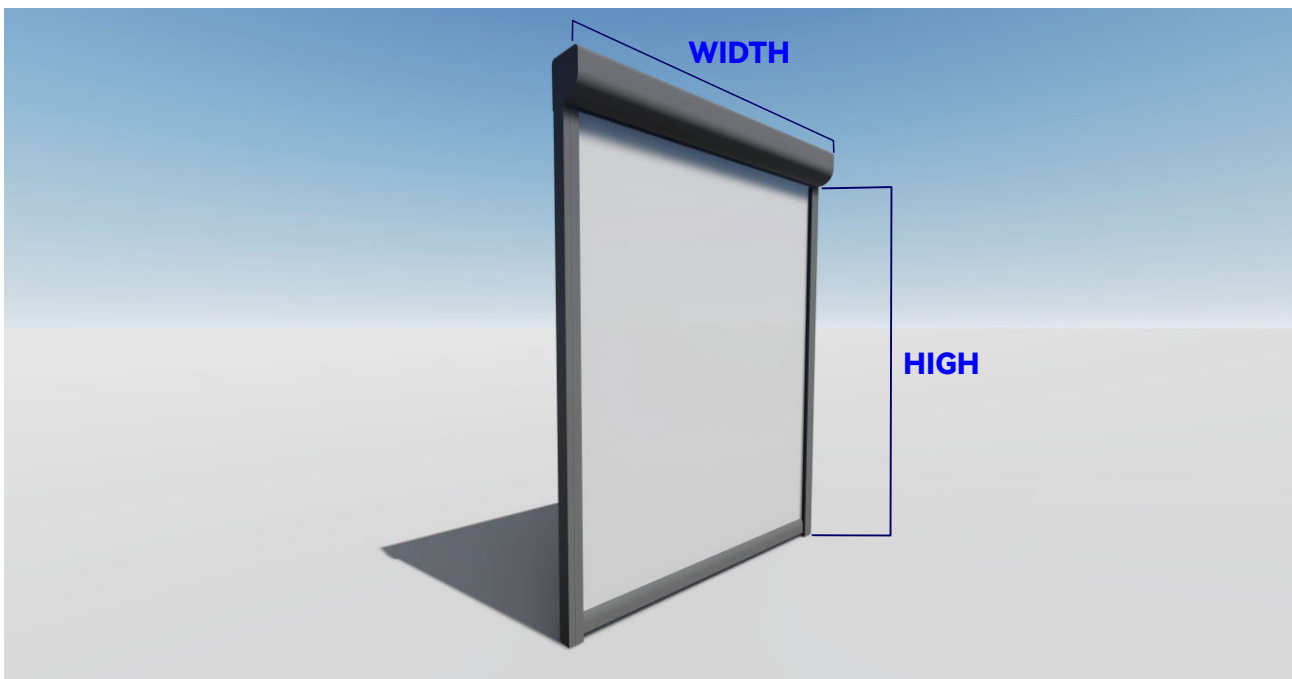
Profile color: Gray ● White ○

Name: box cover Material: aluminum alloy Specifications: 125mm*125mm*1.8mm	Name: tow bar Material: aluminum alloy Specifications: 30mm*65mm*1.5mm	Name: tow bar Material: aluminum alloy Specifications: 30mm*65mm*1.5mm	Name: roll cloth tube Material: aluminum alloy Specifications: 80mm*1.6mm	Name: roll cloth tube Material: aluminum alloy Specifications: 80mm*1.6mm

## Zip Screen Regular size

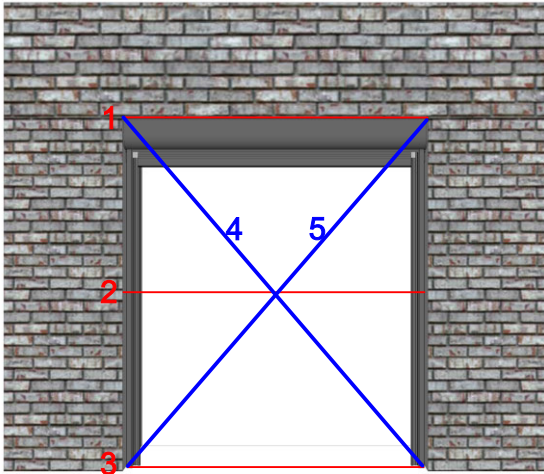
HIGH WIDTH (CM)	200	250	300
150	✓	✓	✓
200	✓	✓	✓
250	✓	✓	✓
300	✓	✓	✓
350	✓	✓	✓
400	✓	✓	✓
450	✓	✓	✓
500	✓	✓	✓
550	✓	✓	✓
600	✓	✓	✓

Remarks: 400cm-600cm, use double-layer roll cloth tube.





# Zip Screen Measurement and Installation



Measure whether the dimensions of **1, 2, and 3** are consistent.

Measure whether the dimensions of the **4 and 5** diagonals are consistent.

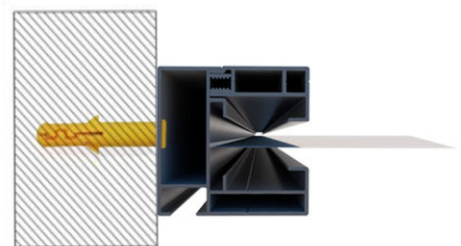
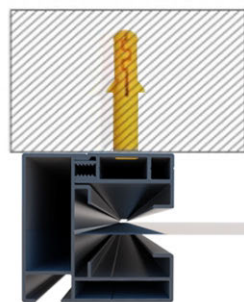
**!** **4, 5** The error must be  $\leq 5\text{mm}$

When installing, it must be horizontal and vertical, keep the left and right rails absolutely vertical, and the upper and lower widths are absolutely consistent.

External installation



Internal installation



Choose the appropriate installation method according to the site

# Zip Screen Special pillars

When the C faces inward, only corner special pillars can be used for the corner position.

Use the special pillars for the corner position, so you are not afraid that the Zip Screen will not be installed.

When the C faces outward, the corner position can be connected with a special pillars/corner special pillars.

The area where the Zip Screen needs to be installed is too large and can be used to divide the area to facilitate the installation of multiple sets of Zip Screens.

## Size specification

**a. casing**

**b. bottom cover**

**Special column for connection**

**Special column for corner**

Part	Dimensions
Special column for connection (a) casing	50mm x 50mm x 1.5mm, Highest height 6000mm
Special column for connection (b) bottom cover	45mm x 45mm x 27mm, 25mm
Special column for corner (a) casing	120mm x 120mm x 2mm, Highest height 6000mm
Special column for corner (b) bottom cover	114mm x 114mm x 60mm, 30mm, 2mm

## Zip Screen dedicated use Fabric

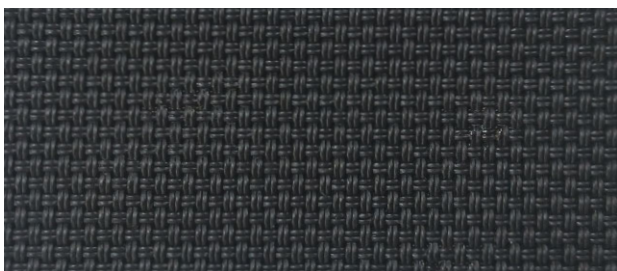
(China fiberglass fabric)

Glass fiber sunshine fabric has the characteristics of strong heat resistance, good corrosion resistance and high structural stability that ordinary polyester fabrics do not have, and is especially suitable for application in outdoor sunshade products. Numerous cases have proved that glass fiber fabrics have good and stable quality performance in the application of Zip Screen products.

### Fiber glass fabric

Openness	5%
Composition	25%Fiberglass + 75%PVC
Warranty	5 years
Fire rating	China Standard B1
Color fastness	Grade 7 (ISO 105-B02)
Roll length	30ml
Thickness	±0.63mm
Width	300cm
Weight	±500g / m <sup>2</sup>

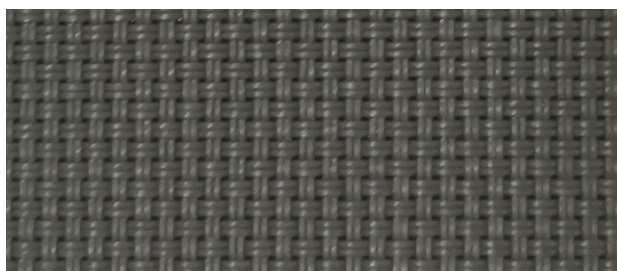
#### Fiberglass fabric (Openness5%)



BX01



BX02



BX03



BX04

# Zip Screen Fabric



Zip Screen dedicated use Fabric (Spanish sunshine fabric)

Screen50 fabrics are produced by the Spanish Sauleda Group, a century-old fabric family, and imported into China for sales and promotion. Its core component is polyether alkali resin, a thermoplastic polymer material that is scarce in the global field. Compared with glass fiber fabrics, it has better weather resistance and dimensional stability. After hundreds of years of continuous optimization of the formula by the Spaniards, the product has become perfect. Polyether alum resin is assessed as an environmentally friendly and healthy material by the American PDA Association and the Japanese Health Organization.

## Screen

Openness	5%
Composition	81%PVC + 19%PES
Warranty	5 years
Fire rating	M1 NF P92 503-507, NFPA 701
Color fastness	5 / 5
Roll length	25ml
Thickness	0.69mm
Width	250cm
Weight	±500gr / m <sup>2</sup>

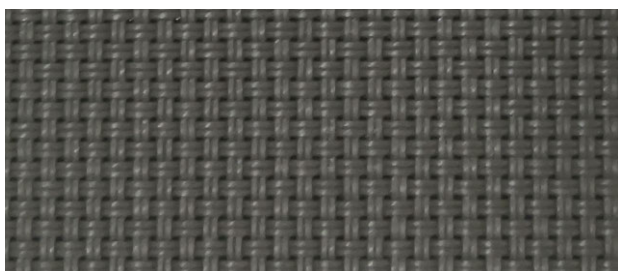
PES fabric (Openness 5%)



7861



7867



7868



7871