

C104 SWING ARM WINDOW AWNING



☎ 008613378478483

🌐 davisawning.com

PRODUCT INTRODUCTION

Introduction: The swing-arm type awning is designed to shade windows and glass curtain walls. It can freely adjust the angle of shading, and keep the air flowing indoors and outdoors while insulating heat. It does not affect the view of the outdoors from indoors, and creates a comfortable and visually pleasing atmosphere. Its ability to stay in any position reflects its meticulous care for the indoor environment. It has diverse specifications and can be designed according to customer requirements, or combined to create a unique scenery.

Applicable applications: Swing-arm type awnings are suitable for various applications, such as building curtain walls, residential balcony windows, villa courtyards, clubs, etc. They can be designed and installed to provide shading and rain protection in various settings.

C104 Swing Arm Window Awning

PRODUCT INTRODUCTION

Product materials:

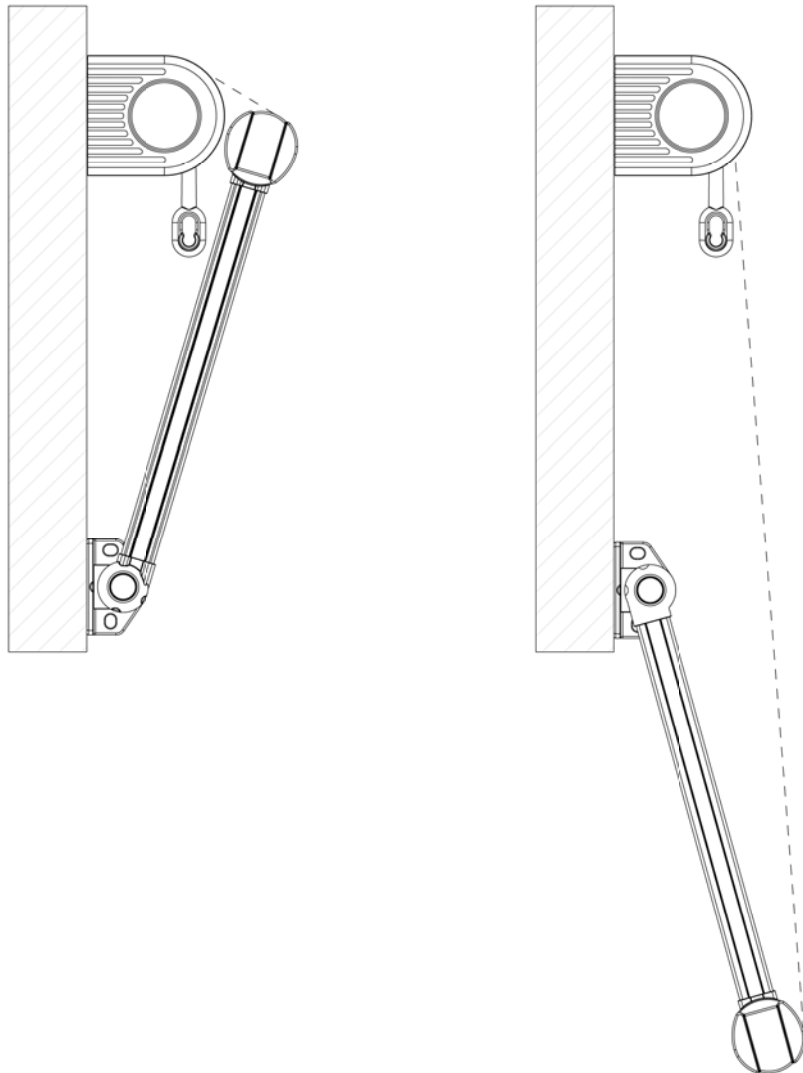
1. The aluminum profiles are made of **6063 aluminum** alloy by die-casting and have a surface powder coating treatment. They are lightweight, strong, aesthetically pleasing, and durable.
2. All mechanical parts are made of aluminum alloy and CNC machined. They are accurate in size and easy to assemble.
3. The hardware parts and screws are made of **304 stainless steel**, which has high strength, corrosion resistance, good performance and long durability.
4. The driving part is equipped with a **China Dooya** motor as standard, which is small in size and powerful in operation. It is more convenient to adjust and control.

Note: According to the product size and customer requirements, the driving part can be equipped with **French Somfy** motor.

5. The fabric can be either **China AOIUX** silk fabric or **Spanish Sauleda** fabric, depending on the different scene requirements of customers.



PRODUCT INTRODUCTION



The single set size of the swing-arm type awning can range from 1m to 4m in width, and from 0.75m to 1.5m in height (please see the size specification table for details). The angle of extension can be adjusted from 5° to 175°. It can satisfy your high-end outdoor experience needs!

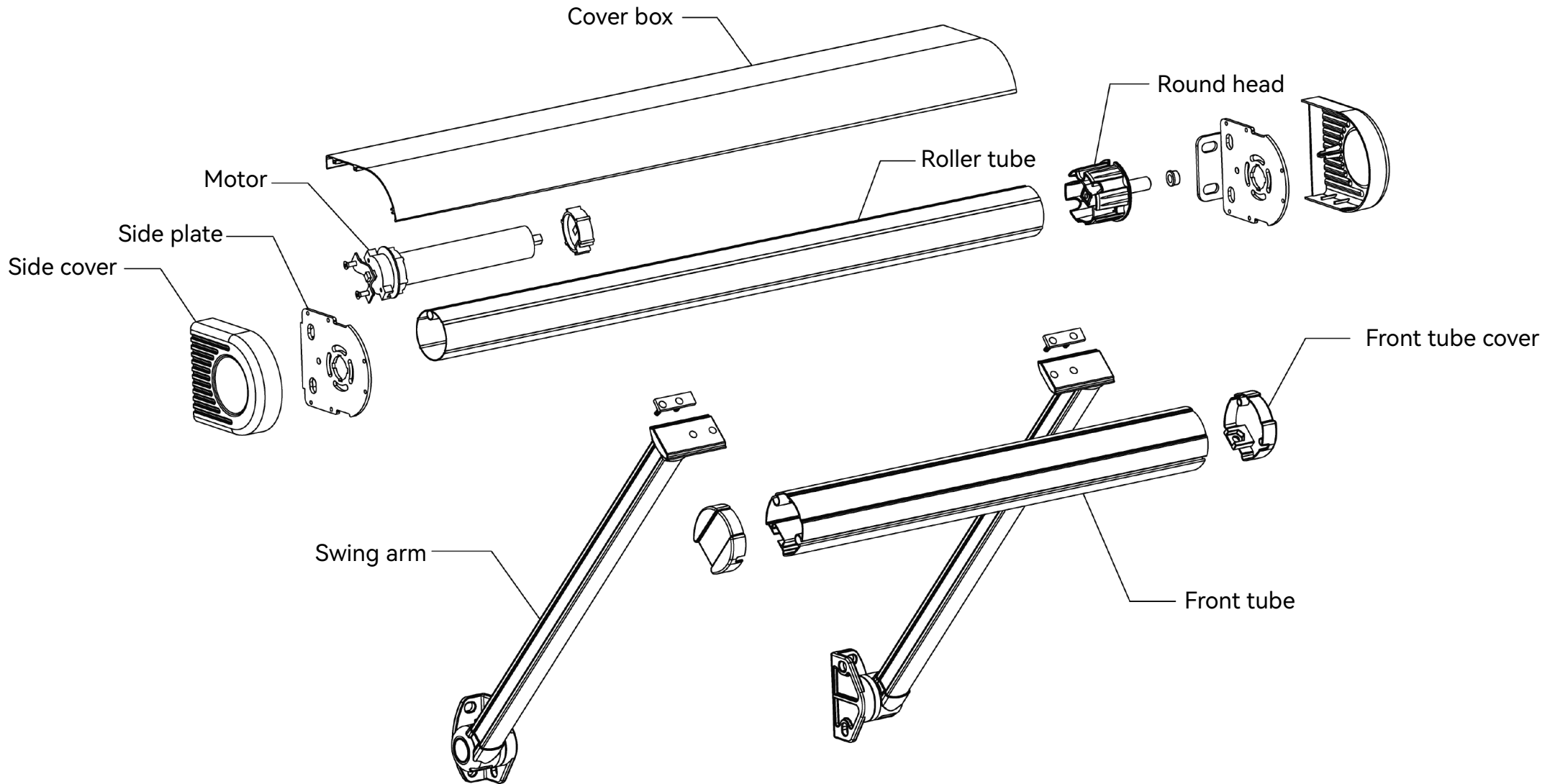
C104 Swing Arm Window Awning

PRODUCT SIZE SPECIFICATION TABLE

Extension (m) \ Width (m)	1	2	3	4
0.75	•	•	•	•
1.0	•	•	•	•
1.2	•	•	•	•
1.5	•	•	•	•

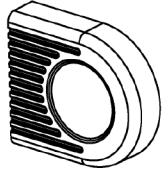
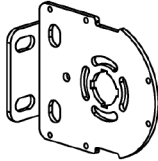
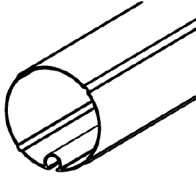
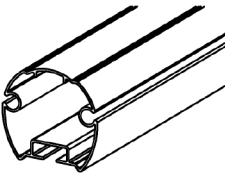

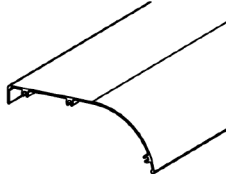
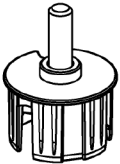
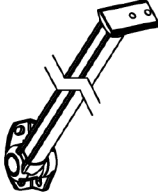
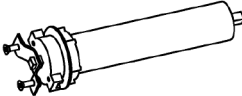
C104 Swing Arm Window Awning

PRODUCT PACKAGING



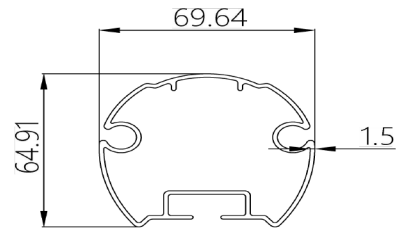
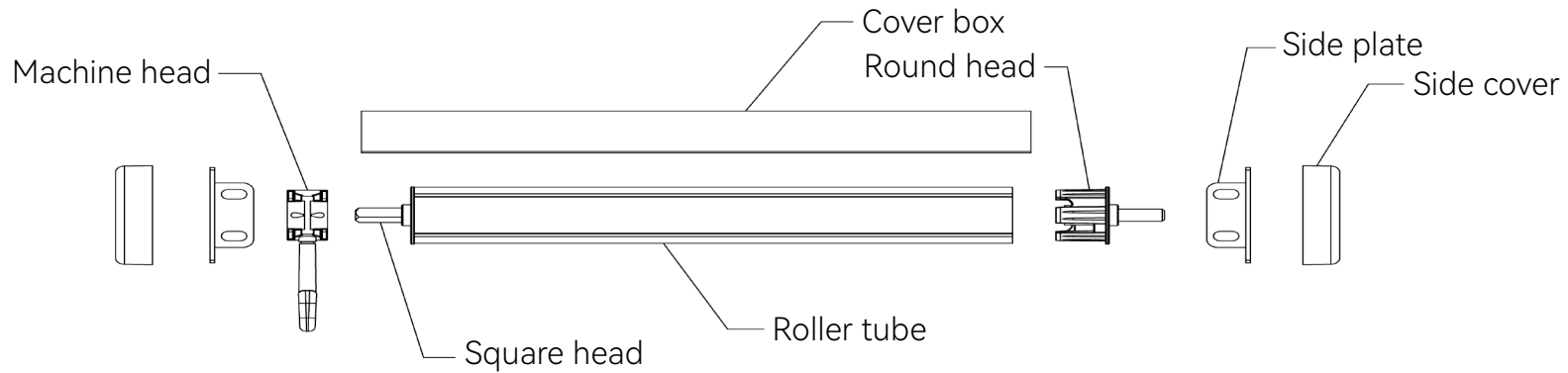
C104 Swing Arm Window Awning

PRODUCT PARTS DIAGRAM

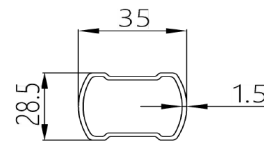
	Side cover		Side plate		Roller tube
	Front tube		Front tube cover		Cover box
	Round head		Swing arm		Motor

C104 Swing Arm Window Awning

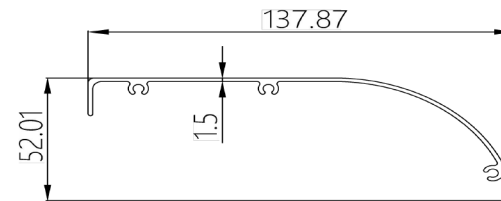
PRODUCT PARAMETER DIAGRAM



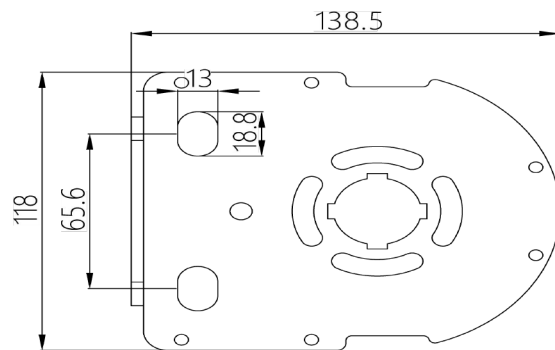
Front tube



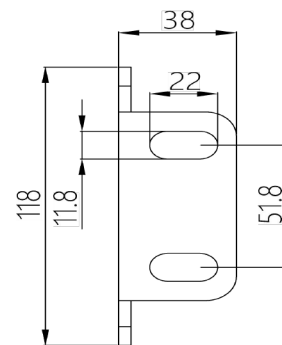
Swing-arm tube



Cover box



Side plate



C104 Swing Arm Window Awning

PRODUCT CASE DIAGRAM



C104 Swing Arm Window Awning

PRODUCT CASE DIAGRAM



C104 Swing Arm Window Awning

PRODUCT CASE DIAGRAM



C104 Swing Arm Window Awning

PRODUCT CASE DIAGRAM

